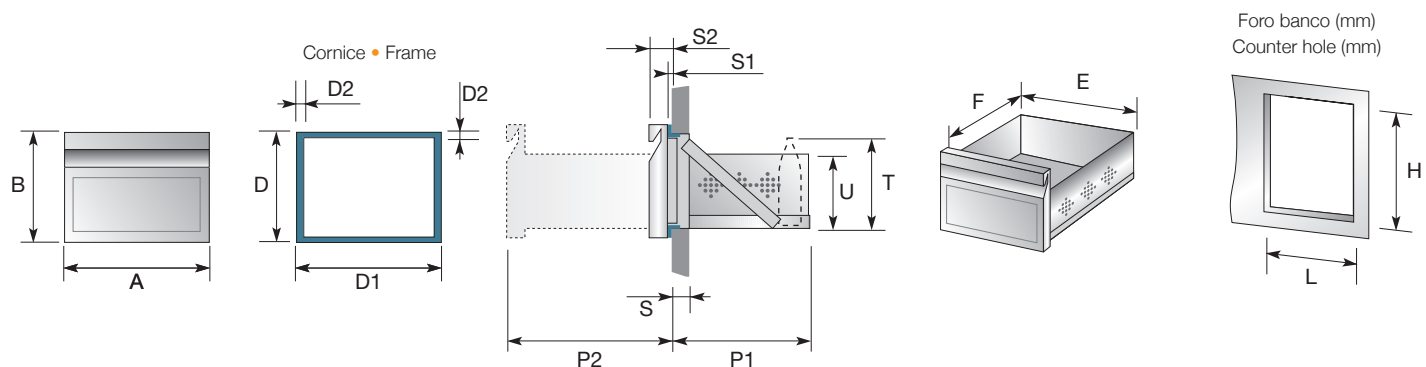
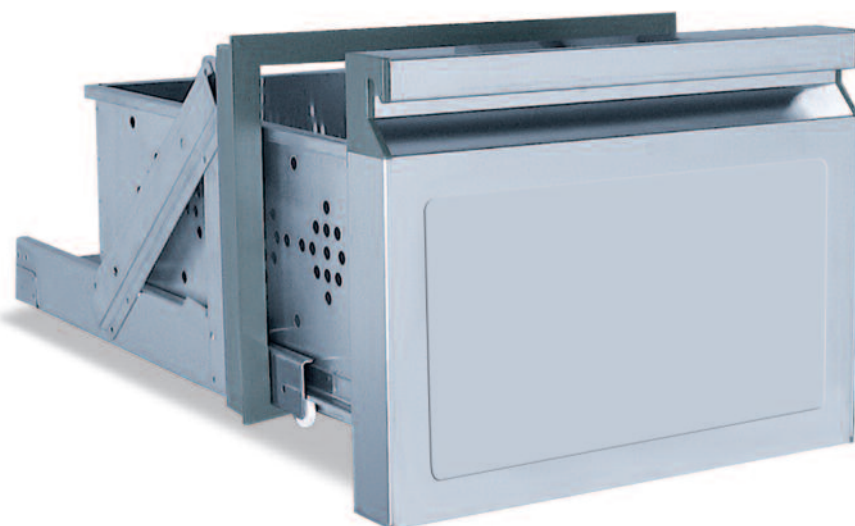


Cassetti singoli • Single drawers

CASSETTI SINGOLI **PER GN1/1 E PER CELLE CON FORO BANCO LARGHEZZA 442 mm**
 SINGLE DRAWERS **FOR GN1/1 AND FOR COUNTERS WITH HOLE 442 mm WIDTH**

PER BANCHI A TEMPERATURA POSITIVA (+ 5/6 °C)
 FOR POSITIVE TEMPERATURE (+ 5/6 °C) COUNTERS



Articolo • Item	A	B	D	D1	D2	S	S1	S2	P1	P2	U	T	F	E	L*	H*
-----------------	---	---	---	----	----	---	----	----	----	----	---	---	---	---	----	----

Larghezza Gastronorm** • Gastronorm width**

6GNCS26	388	288	288	388	23	46	5,5	57	555	663	200	225	525	305	365	265
6GNCS45	388	478	478	388	23	46	5,5	57	555	663	250	420	525	305	365	455

Larghezza foro 442 • Hole width 442

6/44CS29	465	312	312	465	23	46	5,5	57	505	530	200	250	485	380	442	289
6/44CS39	465	416	416	465	23	46	5,5	57	505	530	250	358	485	380	442	393

Dimensioni: vedi legenda a pag. 17
 Sizes: see please the legend at page 17

** ottimizzato per l'utilizzo di telai e vaschette Gastronorm
 ** optimized for use of Gastronorm basins and frames

* tolleranza -0 / +1 mm
 * tolerance -0 / +1 mm