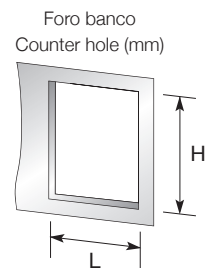
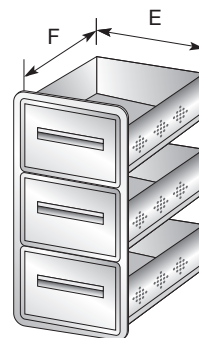
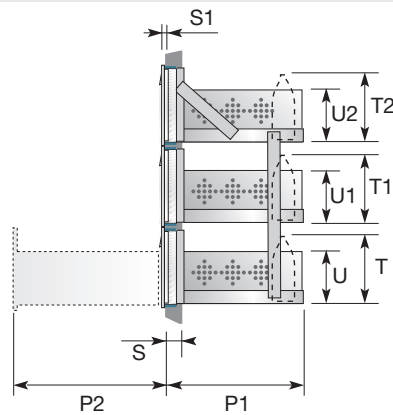
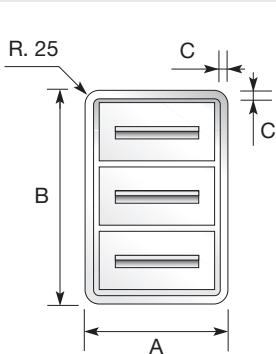


# Cassettiere a tre cassetti • Three-drawer units

CASSETTIERE PER BANCHI A TEMPERATURA POSITIVA (5+6°C)  
DRAWER-UNITS FOR POSITIVE TEMPERATURE (+ 5/6 °C) COUNTERS



**Optional:**  
serratura applicata sui cassetti  
lock fitted on drawers



Articolo • Item	A	B	C	S	S1	P1	P2	U	U1	U2	T	T1	T2	F	E	L*	H*
	mm	mm	mm	mm	mm	mm	mm	mm	mm	mm	mm	mm	mm	mm	mm	mm	mm
<b>8CT60</b>	471	631	17	50	6	520	365	100	100	100	135	135	135	447	360	442	602
<b>8CT60/43</b>	471	631	17	50	6	430	275	100	100	100	135	135	135	358	360	442	602
<b>8CT70</b>	471	731	17	50	6	520	365	150	100	100	233	135	135	447	360	442	702
<b>8CT70/43</b>	471	731	17	50	6	430	275	150	100	100	233	135	135	358	360	442	702

Dimensioni: vedi legenda a pag. 25  
Sizes: see please the legend at page 25

\* tolleranza • tolerance -0 / +1 mm