

Celle attrezzate T.N. • Refrigerated counters N.T. +4°C ÷ +8°C

Corredate di **EVAPORATORE STATICO ALETTATO**

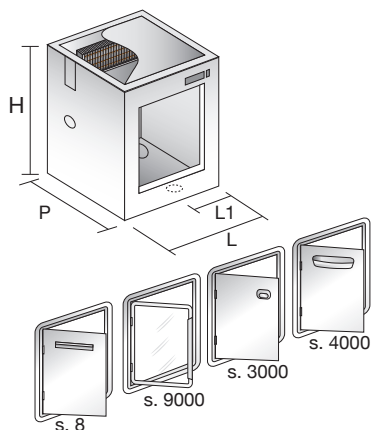
Le celle hanno in dotazione: Coperchio a tampone coibentato a chiusura della cella; Termostato elettronico incassato completo di sonda temperatura; Interruttore generale; Piletta di scarico; Ripiano intermedio in acciaio inox Aisi 304 regolabile in altezza tramite ganci su cremagliere; Evaporatore statico alettato con impianto a valvola R404 con canalina raccolta condensa. Le celle vengono allestite, secondo vostra scelta, con sportelli delle serie 8 - 9000 - 3000 - 4000.

Equipped with **FINNED STATIC EVAPORATOR**

The cabinets has included: Padded lid insulated at closure of the counter; Electronic thermostat embed with probe; switch power; drain outlet; Intermediate stainless steel shelf equipped with hook racks adjustable in height; finned static evaporator with R404 valve system with pipe for condensing water. The stainless steel counters are equipped at your choice with Series 8, 9000, 3000, 4000 doors and/or drawers.

Cella 1 foro • Counter 1 hole

L = 545 mm



	s. 8	s. 9000	s. 3000	s. 4000	P mm	L1 mm
H 530 *	C1ST8/53/55	C1ST9/53/55	C1ST3/53/55	C1ST4/53/55	545	272
	C1ST8/53/67	C1ST9/53/67	C1ST3/53/67	C1ST4/53/67	670	272
H 750	C1ST8/75/55	C1ST9/75/55	C1ST3/75/55	C1ST4/75/55	545	272
	C1ST8/75/67	C1ST9/75/67	C1ST3/75/67	C1ST4/75/67	670	272
H 800 *	C1ST8/80/55	C1ST9/80/55	C1ST3/80/55	C1ST4/80/55	545	272
	C1ST8/80/67	C1ST9/80/67	C1ST3/80/67	C1ST4/80/67	670	272

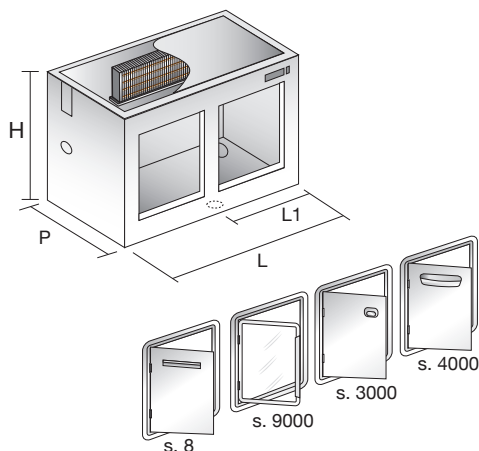
* Realizzate su richiesta • Made on request

Uscita tubi refrigerazione su fianco o fondo cella (destra o sinistra)
Pipe outlet on the side or at the bottom of the cabinet (right or left)

Cassettiere opzionali a pagina 20 • Optionals drawer units at page 20
Articoli opzionali a pagina 26 • Optional items at page 26

Cella 2 fori • Counter 2 holes

L = 1000 mm



	s. 8	s. 9000	s. 3000	s. 4000	P mm	L1 mm
H 530 *	C2ST8/53/55	C2ST9/53/55	C2ST3/53/55	C2ST4/53/55	545	500
	C2ST8/53/67	C2ST9/53/67	C2ST3/53/67	C2ST4/53/67	670	500
H 750	C2ST8/75/55	C2ST9/75/55	C2ST3/75/55	C2ST4/75/55	545	500
	C2ST8/75/67	C2ST9/75/67	C2ST3/75/67	C2ST4/75/67	670	500
H 800 *	C2ST8/80/55	C2ST9/80/55	C2ST3/80/55	C2ST4/80/55	545	500
	C2ST8/80/67	C2ST9/80/67	C2ST3/80/67	C2ST4/80/67	670	500

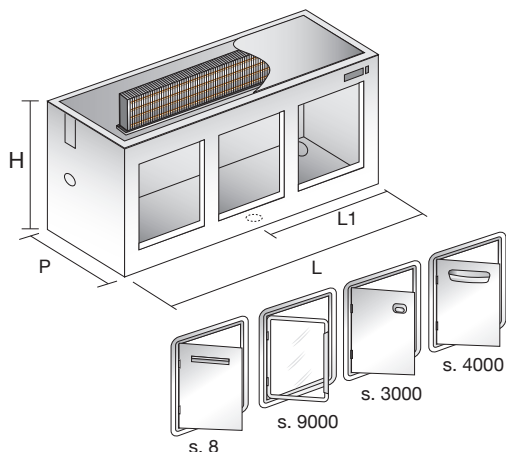
* Realizzate su richiesta • Made on request

Uscita tubi refrigerazione su fianco o fondo cella (destra o sinistra)
Pipe outlet on the side or at the bottom of the cabinet (right or left)

Cassettiere opzionali a pagina 20 • Optionals drawer units at page 20
Articoli opzionali a pagina 26 • Optional items at page 26

Cella 3 fori • Counter 3 holes

L = 1500 mm



	s. 8	s. 9000	s. 3000	s. 4000	P mm	L1 mm
H 530 *	C3ST8/53/55	C3ST9/53/55	C3ST3/53/55	C3ST4/53/55	545	750
	C3ST8/53/67	C3ST9/53/67	C3ST3/53/67	C3ST4/53/67	670	750
H 750	C3ST8/75/55	C3ST9/75/55	C3ST3/75/55	C3ST4/75/55	545	750
	C3ST8/75/67	C3ST9/75/67	C3ST3/75/67	C3ST4/75/67	670	750
H 800 *	C3ST8/80/55	C3ST9/80/55	C3ST3/80/55	C3ST4/80/55	545	750
	C3ST8/80/67	C3ST9/80/67	C3ST3/80/67	C3ST4/80/67	670	750

* Realizzate su richiesta • Made on request

Uscita tubi refrigerazione su fianco o fondo cella (destra o sinistra)
Pipe outlet on the side or at the bottom of the cabinet (right or left)

Cassettiere opzionali a pagina 20 • Optionals drawer units at page 20
Articoli opzionali a pagina 26 • Optional items at page 26

+4°C ÷ +8°C

Celle attrezzate T.N. • Refrigerated counters N.T.

Corredate di **EVAPORATORE STATICO ALETTATO**

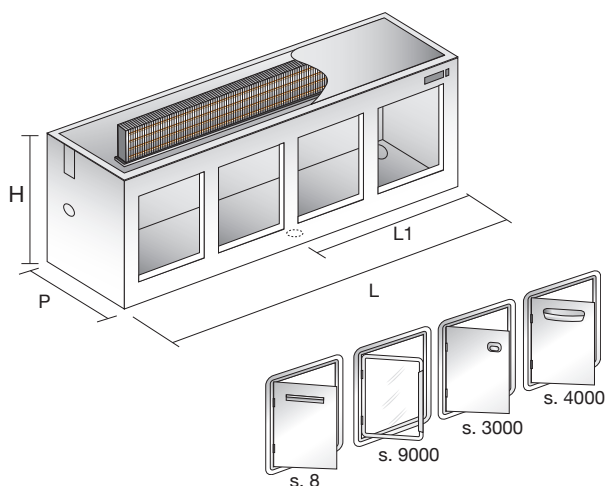
Le celle hanno in dotazione: Coperchio a tampone coibentato a chiusura della cella; Termostato elettronico incassato completo di sonda temperatura; Interruttore generale; Piletta di scarico; Ripiano intermedio in acciaio inox Aisi 304 regolabile in altezza tramite ganci su cremagliere; Evaporatore statico alettato con impianto a valvola R404 con canalina raccolta condensa. Le celle vengono allestite, secondo vostra scelta, con sportelli delle serie 8 - 9000 - 3000 - 4000.

Equipped with **FINNED STATIC EVAPORATOR**

The cabinets has included: Padded lid insulated at closure of the counter; Electronic thermostat embed with probe; switch power; drain outlet; Intermediate stainless steel shelf equipped with hook racks adjustable in height; finned static evaporator with R404 valve system with pipe for condensing water. The stainless steel counters are equipped at your choice with Series 8, 9000, 3000, 4000 doors and/or drawers.

Cella 4 fori • Counter 4 holes

L = 2000 mm



	s. 8	s. 9000	s. 3000	s. 4000	P mm	L1 mm
H 530 *	C4ST8/53/55	C4ST9/53/55	C4ST3/53/55	C4ST4/53/55	545	1000
	C4ST8/53/67	C4ST9/53/67	C4ST3/53/67	C4ST4/53/67	670	1000
H 750	C4ST8/75/55	C4ST9/75/55	C4ST3/75/55	C4ST4/75/55	545	1000
	C4ST8/75/67	C4ST9/75/67	C4ST3/75/67	C4ST4/75/67	670	1000
H 800 *	C4ST8/80/55	C4ST9/80/55	C4ST3/80/55	C4ST4/80/55	545	1000
	C4ST8/80/67	C4ST9/80/67	C4ST3/80/67	C4ST4/80/67	670	1000

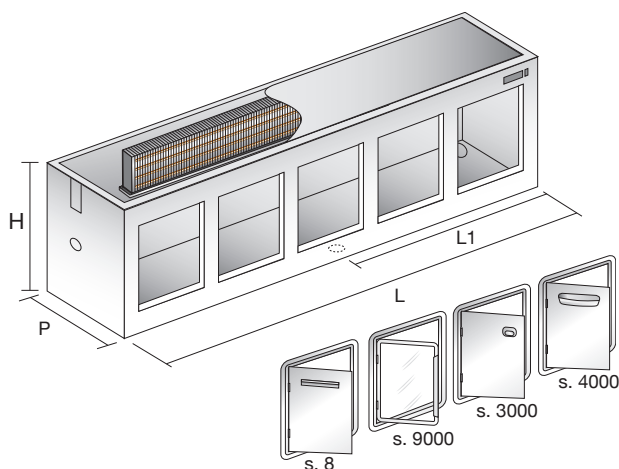
* Realizzate su richiesta • Made on request

Uscita tubi refrigerazione su fianco o fondo cella (destra o sinistra)
Pipe outlet on the side or at the bottom of the cabinet (right or left)

Cassettiere opzionali a pagina 20 • Optionals drawer units at page 20
Articoli opzionali a pagina 26 • Optional items at page 26

Cella 5 fori • Counter 5 holes

L = 2500 mm



	s. 8	s. 9000	s. 3000	s. 4000	P mm	L1 mm
H 750	C5ST8/75/55	C5ST9/75/55	C5ST3/75/55	C5ST4/75/55	545	1250
	C5ST8/75/67	C5ST9/75/67	C5ST3/75/67	C5ST4/75/67	670	1250
H 800 *	C5ST8/80/55	C5ST9/80/55	C5ST3/80/55	C5ST4/80/55	545	1250
	C5ST8/80/67	C5ST9/80/67	C5ST3/80/67	C5ST4/80/67	670	1250

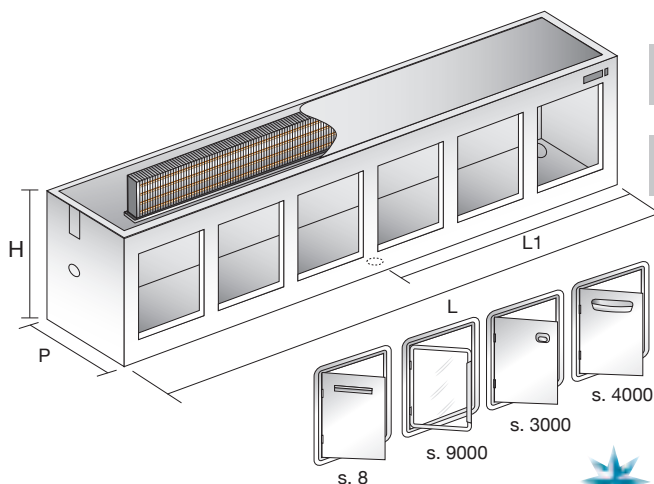
* Realizzate su richiesta • Made on request

Uscita tubi refrigerazione su fianco o fondo cella (destra o sinistra)
Pipe outlet on the side or at the bottom of the cabinet (right or left)

Cassettiere opzionali a pagina 20 • Optionals drawer units at page 20
Articoli opzionali a pagina 26 • Optional items at page 26

Cella 6 fori • Counter 6 holes

L = 3000 mm



	s. 8	s. 9000	s. 3000	s. 4000	P mm	L1 mm
H 750	C6ST8/75/55	C6ST9/75/55	C6ST3/75/55	C6ST4/75/55	545	1500
	C6ST8/75/67	C6ST9/75/67	C6ST3/75/67	C6ST4/75/67	670	1500
H 800 *	C6ST8/80/55	C6ST9/80/55	C6ST3/80/55	C6ST4/80/55	545	1500
	C6ST8/80/67	C6ST9/80/67	C6ST3/80/67	C6ST4/80/67	670	1500

* Realizzate su richiesta • Made on request

Uscita tubi refrigerazione su fianco o fondo cella (destra o sinistra)
Pipe outlet on the side or at the bottom of the cabinet (right or left)

Cassettiere opzionali a pagina 20 • Optionals drawer units at page 20
Articoli opzionali a pagina 26 • Optional items at page 26

Celle attrezzate T.N. • Refrigerated counters N.T. +4°C ÷ +8°C

Corredate di **EVAPORATORE VENTILATO**

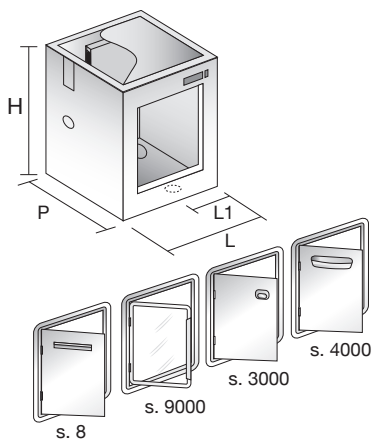
Le celle hanno in dotazione: Coperchio a tampone coibentato a chiusura della cella; Termostato elettronico incassato completo di sonda temperatura; Interruttore generale; Piletta di scarico; Ripiano intermedio in acciaio inox Aisi 304 regolabile in altezza tramite ganci su cremagliere; Evaporatore ventilato con impianto a valvola R404 con canalina raccolta condensa. Le celle vengono allestite, secondo vostra scelta, con sportelli delle serie 8 - 9000 - 3000 - 4000.

Equipped with **VENTILATED EVAPORATOR**

The cabinets has included: Padded lid insulated at closure of the counter; Electronic thermostat embed with probe; switch power; Drain outlet; Intermediate stainless steel shelf equipped with hook racks adjustable in height; Ventilated evaporator with R404 valve system with pipe for condensing water. The stainless steel counters are equipped at your choice with Series 8, 9000, 3000, 4000 doors and/or drawers.

Cella 1 foro • Counter 1 hole

L = 545 mm



	s. 8	s. 9000	s. 3000	s. 4000	P mm	L1 mm
H 530 *	C1VE8/53/55	C1VE9/53/55	C1VE3/53/55	C1VE4/53/55	545	272
	C1VE8/53/67	C1VE9/53/67	C1VE3/53/67	C1VE4/53/67	670	272
H 750	C1VE8/75/55	C1VE9/75/55	C1VE3/75/55	C1VE4/75/55	545	272
	C1VE8/75/67	C1VE9/75/67	C1VE3/75/67	C1VE4/75/67	670	272
H 800 *	C1VE8/80/55	C1VE9/80/55	C1VE3/80/55	C1VE4/80/55	545	272
	C1VE8/80/67	C1VE9/80/67	C1VE3/80/67	C1VE4/80/67	670	272

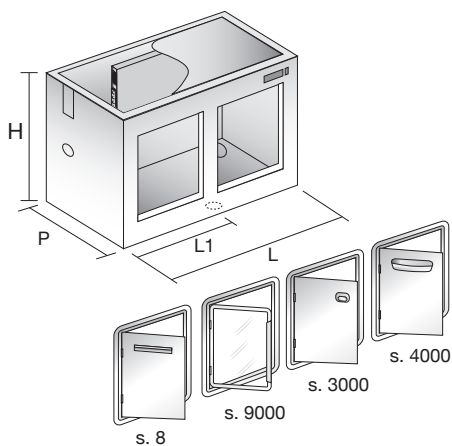
* Realizzate su richiesta • Made on request

Uscita tubi refrigerazione su fianco o fondo cella (destra o sinistra)
Pipe outlet on the side or at the bottom of the cabinet (right or left)

Cassettiere opzionali a pagina 20 • Optionals drawer units at page 20
Articoli opzionali a pagina 26 • Optional items at page 26

Cella 2 fori • Counter 2 holes

L = 1000 mm



	s. 8	s. 9000	s. 3000	s. 4000	P mm	L1 mm
H 530 *	C2VE8/53/55	C2VE9/53/55	C2VE3/53/55	C2VE4/53/55	545	500
	C2VE8/53/67	C2VE9/53/67	C2VE3/53/67	C2VE4/53/67	670	500
H 750	C2VE8/75/55	C2VE9/75/55	C2VE3/75/55	C2VE4/75/55	545	500
	C2VE8/75/67	C2VE9/75/67	C2VE3/75/67	C2VE4/75/67	670	500
H 800 *	C2VE8/80/55	C2VE9/80/55	C2VE3/80/55	C2VE4/80/55	545	500
	C2VE8/80/67	C2VE9/80/67	C2VE3/80/67	C2VE4/80/67	670	500

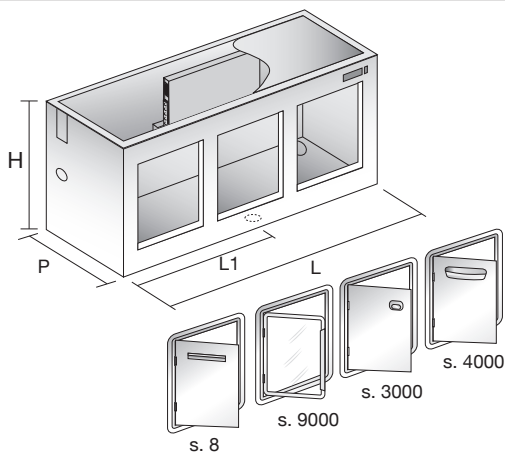
* Realizzate su richiesta • Made on request

Uscita tubi refrigerazione su fianco o fondo cella (destra o sinistra)
Pipe outlet on the side or at the bottom of the cabinet (right or left)

Cassettiere opzionali a pagina 20 • Optionals drawer units at page 20
Articoli opzionali a pagina 26 • Optional items at page 26

Cella 3 fori • Counter 3 holes

L = 1500 mm



	s. 8	s. 9000	s. 3000	s. 4000	P mm	L1 mm
H 530 *	C3VE8/53/55	C3VE9/53/55	C3VE3/53/55	C3VE4/53/55	545	750
	C3VE8/53/67	C3VE9/53/67	C3VE3/53/67	C3VE4/53/67	670	750
H 750	C3VE8/75/55	C3VE9/75/55	C3VE3/75/55	C3VE4/75/55	545	750
	C3VE8/75/67	C3VE9/75/67	C3VE3/75/67	C3VE4/75/67	670	750
H 800 *	C3VE8/80/55	C3VE9/80/55	C3VE3/80/55	C3VE4/80/55	545	750
	C3VE8/80/67	C3VE9/80/67	C3VE3/80/67	C3VE4/80/67	670	750

* Realizzate su richiesta • Made on request

Uscita tubi refrigerazione su fianco o fondo cella (destra o sinistra)
Pipe outlet on the side or at the bottom of the cabinet (right or left)

Cassettiere opzionali a pagina 20 • Optionals drawer units at page 20
Articoli opzionali a pagina 26 • Optional items at page 26

+4°C ÷ +8°C

Celle attrezzate T.N. • Refrigerated counters N.T.

Corredate di **EVAPORATORE VENTILATO**

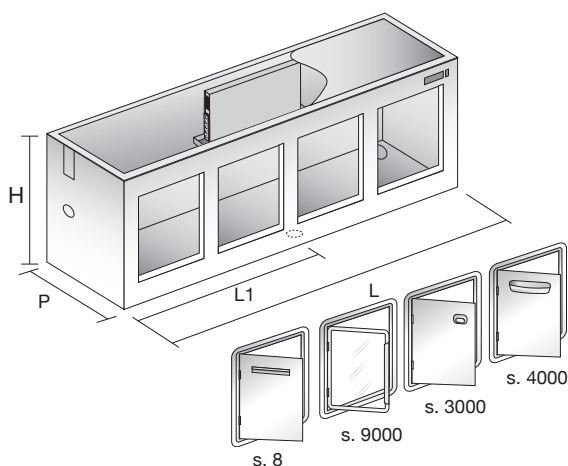
Le celle hanno in dotazione: Coperchio a tampone coibentato a chiusura della cella; Termostato elettronico incassato completo di sonda temperatura; Interruttore generale; Piletta di scarico; Ripiano intermedio in acciaio inox Aisi 304 regolabile in altezza tramite ganci su cremagliere; Evaporatore ventilato con impianto a valvola R404 con canalina raccolta condensa. Le celle vengono allestite, secondo vostra scelta, con sportelli delle serie 8 - 9000 - 3000 - 4000.

Equipped with **VENTILATED EVAPORATOR**

The cabinets has included: Padded lid insulated at closure of the counter; Electronic thermostat embed with probe; switch power; Drain outlet; Intermediate stainless steel shelf equipped with hook racks adjustable in height; Ventilated evaporator with R404 valve system with pipe for condensing water. The stainless steel counters are equipped at your choice with Series 8, 9000, 3000, 4000 doors and/or drawers.

Cella 4 fori • Counter 4 holes

L = 2000 mm



	s. 8	s. 9000	s. 3000	s. 4000	P mm	L1 mm
H 530 *	C4VE8/53/55	C4VE9/53/55	C4VE3/53/55	C4VE4/53/55	545	1000
	C4VE8/53/67	C4VE9/53/67	C4VE3/53/67	C4VE4/53/67	670	1000
H 750	C4VE8/75/55	C4VE9/75/55	C4VE3/75/55	C4VE4/75/55	545	1000
	C4VE8/75/67	C4VE9/75/67	C4VE3/75/67	C4VE4/75/67	670	1000
H 800 *	C4VE8/80/55	C4VE9/80/55	C4VE3/80/55	C4VE4/80/55	545	1000
	C4VE8/80/67	C4VE9/80/67	C4VE3/80/67	C4VE4/80/67	670	1000

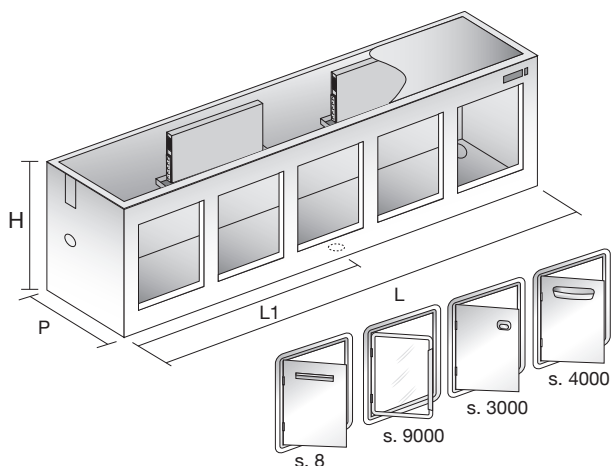
* Realizzate su richiesta • Made on request

Uscita tubi refrigerazione su fianco o fondo cella (destra o sinistra)
Pipe outlet on the side or at the bottom of the cabinet (right or left)

Cassettiere opzionali a pagina 20 • Optionals drawer units at page 20
Articoli opzionali a pagina 26 • Optional items at page 26

Cella 5 fori • Counter 5 holes

L = 2500 mm



	s. 8	s. 9000	s. 3000	s. 4000	P mm	L1 mm
H 750	C5VE8/75/55	C5VE9/75/55	C5VE3/75/55	C5VE4/75/55	545	1250
	C5VE8/75/67	C5VE9/75/67	C5VE3/75/67	C5VE4/75/67	670	1250
H 800 *	C5VE8/80/55	C5VE9/80/55	C5VE3/80/55	C5VE4/80/55	545	1250
	C5VE8/80/67	C5VE9/80/67	C5VE3/80/67	C5VE4/80/67	670	1250

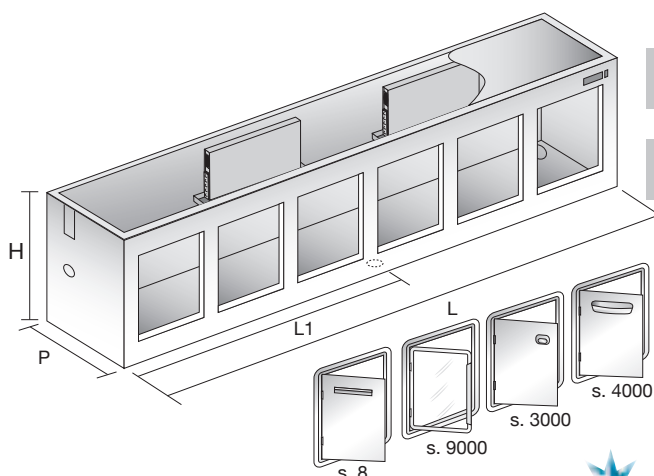
* Realizzate su richiesta • Made on request

Uscita tubi refrigerazione su fianco o fondo cella (destra o sinistra)
Pipe outlet on the side or at the bottom of the cabinet (right or left)

Cassettiere opzionali a pagina 20 • Optionals drawer units at page 20
Articoli opzionali a pagina 26 • Optional items at page 26

Cella 6 fori • Counter 6 holes

L = 3000 mm



	s. 8	s. 9000	s. 3000	s. 4000	P mm	L1 mm
H 750	C6VE8/75/55	C6VE9/75/55	C6VE3/75/55	C6VE4/75/55	545	1500
	C6VE8/75/67	C6VE9/75/67	C6VE3/75/67	C6VE4/75/67	670	1500
H 800 *	C6VE8/80/55	C6VE9/80/55	C6VE3/80/55	C6VE4/80/55	545	1500
	C6VE8/80/67	C6VE9/80/67	C6VE3/80/67	C6VE4/80/67	670	1500

* Realizzate su richiesta • Made on request

Uscita tubi refrigerazione su fianco o fondo cella (destra o sinistra)
Pipe outlet on the side or at the bottom of the cabinet (right or left)

Cassettiere opzionali a pagina 20 • Optionals drawer units at page 20
Articoli opzionali a pagina 26 • Optional items at page 26

Celle attrezzate T.N. • Refrigerated counters N.T. +4°C ÷ +8°C

Corredate di **SERPENTINA ANNEGATA A SCOMPARSA**

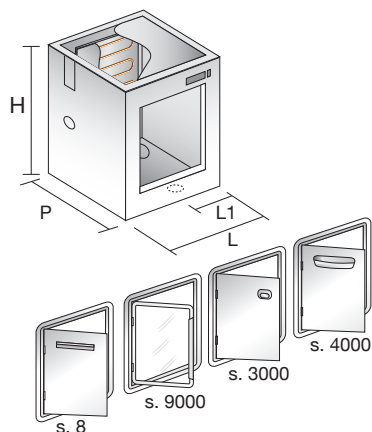
Le celle hanno in dotazione: Coperchio a tampone coibentato a chiusura della cella; Termostato elettronico incassato completo di sonda temperatura; Interruttore generale; Piletta di scarico; Ripiano intermedio in acciaio inox Aisi 304 regolabile in altezza tramite ganci su cremagliere; Evaporatore con serpentina statica a scomparsa con impianto a valvola R404. Le celle vengono allestite, secondo vostra scelta, con sportelli delle serie 8 - 9000 - 3000 - 4000.

Equipped with **CONCEALED CAST-COOLING COIL**

The cabinets has included: Padded lid insulated at closure of the counter; Electronic thermostat embed with probe; switch power; Drain outlet; Intermediate stainless steel shelf equipped with hook racks adjustable in height; Evaporator with static concealed coil with R404 valve system. The stainless steel counters are equipped at your choice with Series 8, 9000, 3000, 4000 doors.

Cella 1 foro • Counter 1 hole

L = 545 mm



	s. 8	s. 9000	s. 3000	s. 4000	P mm	L1 mm
H 750	C1AF8/75/55	C1AF9/75/55	C1AF3/75/55	C1AF4/75/55	545	272
	C1AF8/75/67	C1AF9/75/67	C1AF3/75/67	C1AF4/75/67	670	272
H 800 *	C1AF8/80/55	C1AF9/80/55	C1AF3/80/55	C1AF4/80/55	545	272
	C1AF8/80/67	C1AF9/80/67	C1AF3/80/67	C1AF4/80/67	670	272

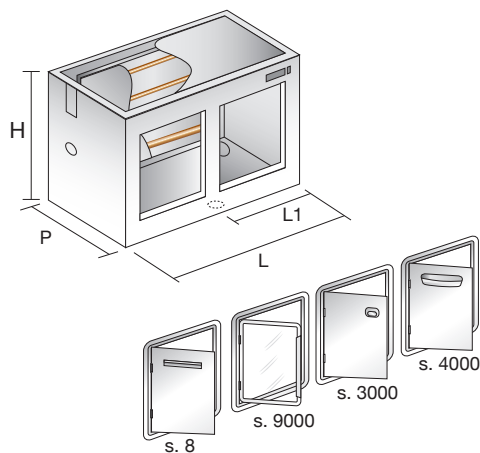
* Realizzate su richiesta • Made on request

Uscita tubi refrigerazione su fianco o fondo cella (destra o sinistra)
Pipe outlet on the side or at the bottom of the cabinet (right or left)

Cassettiere opzionali a pagina 20 • Optionals drawer units at page 20
Articoli opzionali a pagina 26 • Optional items at page 26

Cella 2 fori • Counter 2 holes

L = 1000 mm



	s. 8	s. 9000	s. 3000	s. 4000	P mm	L1 mm
H 750	C2AF8/75/55	C2AF9/75/55	C2AF3/75/55	C2AF4/75/55	545	500
	C2AF8/75/67	C2AF9/75/67	C2AF3/75/67	C2AF4/75/67	670	500
H 800 *	C2AF8/80/55	C2AF9/80/55	C2AF3/80/55	C2AF4/80/55	545	500
	C2AF8/80/67	C2AF9/80/67	C2AF3/80/67	C2AF4/80/67	670	500

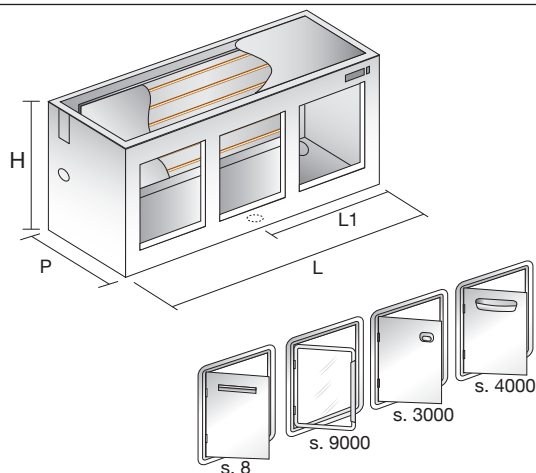
* Realizzate su richiesta • Made on request

Uscita tubi refrigerazione su fianco o fondo cella (destra o sinistra)
Pipe outlet on the side or at the bottom of the cabinet (right or left)

Cassettiere opzionali a pagina 20 • Optionals drawer units at page 20
Articoli opzionali a pagina 26 • Optional items at page 26

Cella 3 fori • Counter 3 holes

L = 1500 mm



	s. 8	s. 9000	s. 3000	s. 4000	P mm	L1 mm
H 750	C3AF8/75/55	C3AF9/75/55	C3AF3/75/55	C3AF4/75/55	545	750
	C3AF8/75/67	C3AF9/75/67	C3AF3/75/67	C3AF4/75/67	670	750
H 800 *	C3AF8/80/55	C3AF9/80/55	C3AF3/80/55	C3AF4/80/55	545	750
	C3AF8/80/67	C3AF9/80/67	C3AF3/80/67	C3AF4/80/67	670	750

* Realizzate su richiesta • Made on request

Uscita tubi refrigerazione su fianco o fondo cella (destra o sinistra)
Pipe outlet on the side or at the bottom of the cabinet (right or left)

Cassettiere opzionali a pagina 20 • Optionals drawer units at page 20
Articoli opzionali a pagina 26 • Optional items at page 26

+4°C ÷ +8°C

Celle attrezzate T.N. • Refrigerated counters N.T.

Corredate di **SERPENTINA ANNEGATA A SCOMPARSA**

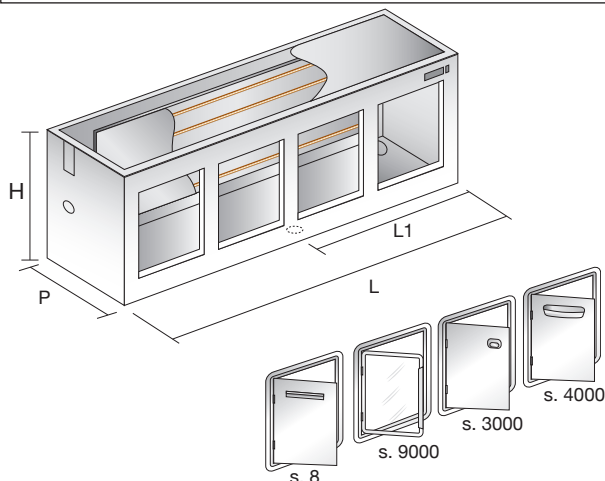
Le celle hanno in dotazione: Coperchio a tampone coibentato a chiusura della cella; Termostato elettronico incassato completo di sonda temperatura; Interruttore generale; Piletta di scarico; Ripiano intermedio in acciaio inox Aisi 304 regolabile in altezza tramite ganci su cremagliere; Evaporatore con serpentina statica a scomparsa con impianto a valvola R404. Le celle vengono allestite, secondo vostra scelta, con sportelli delle serie 8 - 9000 - 3000 - 4000.

Equipped with **CONCEALED CAST-COOLING COIL**

The cabinets has included: Padded lid insulated at closure of the counter; Electronic thermostat embed with probe; switch power; Drain outlet; Intermediate stainless steel shelf equipped with hook racks adjustable in height; Evaporator with static concealed coil with R404 valve system. The stainless steel counters are equipped at your choice with Series 8, 9000, 3000, 4000 doors.

Cella 4 fori • Counter 4 holes

L = 2000 mm



	s. 8	s. 9000	s. 3000	s. 4000	P mm	L1 mm
H 750	C4AF8/75/55	C4AF9/75/55	C4AF3/75/55	C4AF4/75/55	545	1000
	C4AF8/75/67	C4AF9/75/67	C4AF3/75/67	C4AF4/75/67	670	1000
H 800 *	C4AF8/80/55	C4AF9/80/55	C4AF3/80/55	C4AF4/80/55	545	1000
	C4AF8/80/67	C4AF9/80/67	C4AF3/80/67	C4AF4/80/67	670	1000

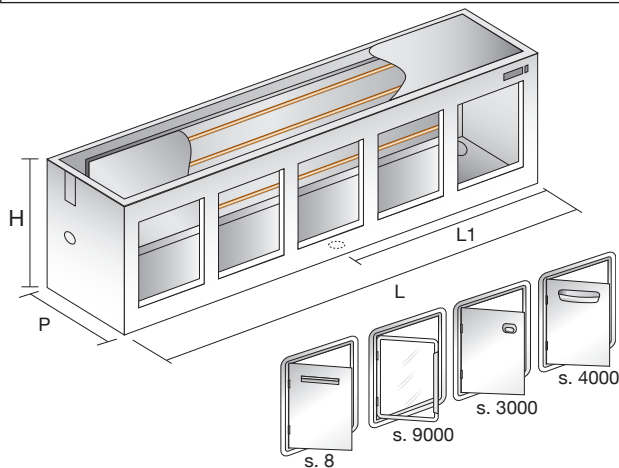
* Realizzate su richiesta • Made on request

Uscita tubi refrigerazione su fianco o fondo cella (destra o sinistra)
Pipe outlet on the side or at the bottom of the cabinet (right or left)

Cassettiere opzionali a pagina 20 • Optionals drawer units at page 20
Articoli opzionali a pagina 26 • Optional items at page 26

Cella 5 fori • Counter 5 holes

L = 2500 mm



	s. 8	s. 9000	s. 3000	s. 4000	P mm	L1 mm
H 750	C5AF8/75/55	C5AF9/75/55	C5AF3/75/55	C5AF4/75/55	545	1250
	C5AF8/75/67	C5AF9/75/67	C5AF3/75/67	C5AF4/75/67	670	1250
H 800 *	C5AF8/80/55	C5AF9/80/55	C5AF3/80/55	C5AF4/80/55	545	1250
	C5AF8/80/67	C5AF9/80/67	C5AF3/80/67	C5AF4/80/67	670	1250

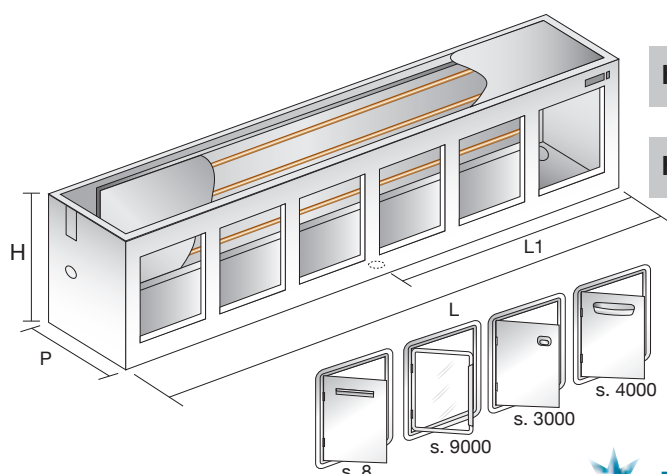
* Realizzate su richiesta • Made on request

Uscita tubi refrigerazione su fianco o fondo cella (destra o sinistra)
Pipe outlet on the side or at the bottom of the cabinet (right or left)

Cassettiere opzionali a pagina 20 • Optionals drawer units at page 20
Articoli opzionali a pagina 26 • Optional items at page 26

Cella 6 fori • Counter 6 holes

L = 3000 mm



	s. 8	s. 9000	s. 3000	s. 4000	P mm	L1 mm
H 750	C6AF8/75/55	C6AF9/75/55	C6AF3/75/55	C6AF4/75/55	545	1500
	C6AF8/75/67	C6AF9/75/67	C6AF3/75/67	C6AF4/75/67	670	1500
H 800 *	C6AF8/80/55	C6AF9/80/55	C6AF3/80/55	C6AF4/80/55	545	1500
	C6AF8/80/67	C6AF9/80/67	C6AF3/80/67	C6AF4/80/67	670	1500

* Realizzate su richiesta • Made on request

Uscita tubi refrigerazione su fianco o fondo cella (destra o sinistra)
Pipe outlet on the side or at the bottom of the cabinet (right or left)

Cassettiere opzionali a pagina 20 • Optionals drawer units at page 20
Articoli opzionali a pagina 26 • Optional items at page 26